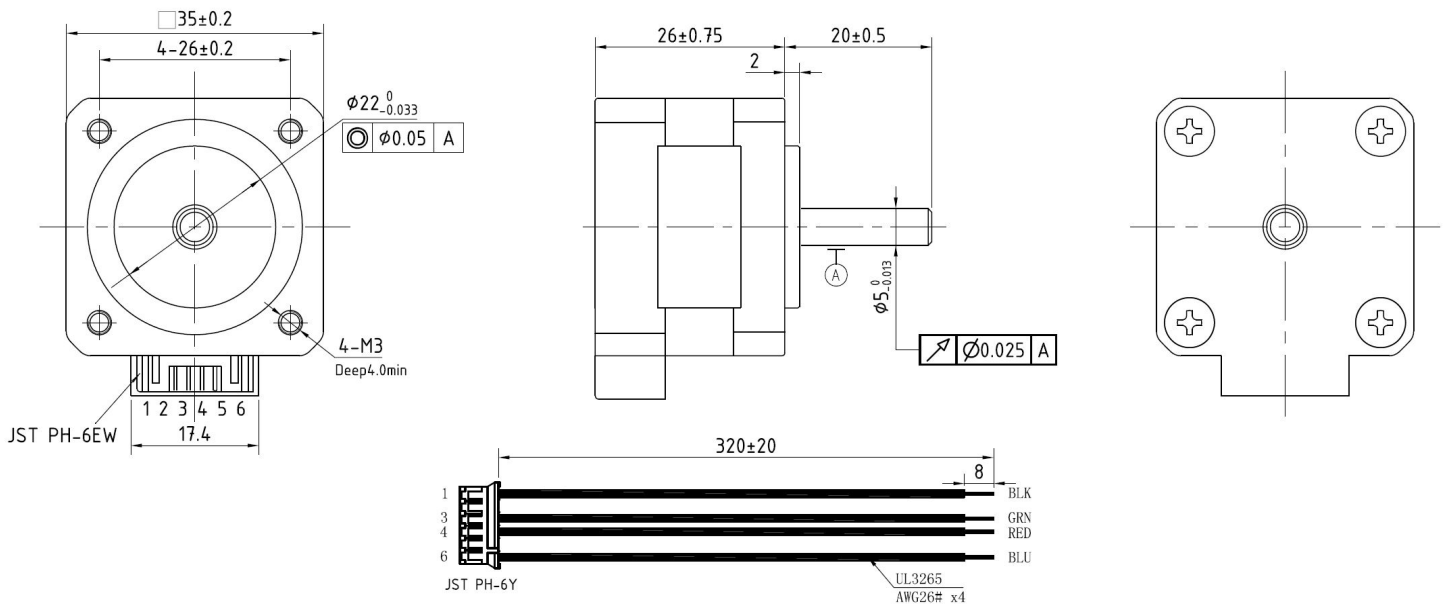
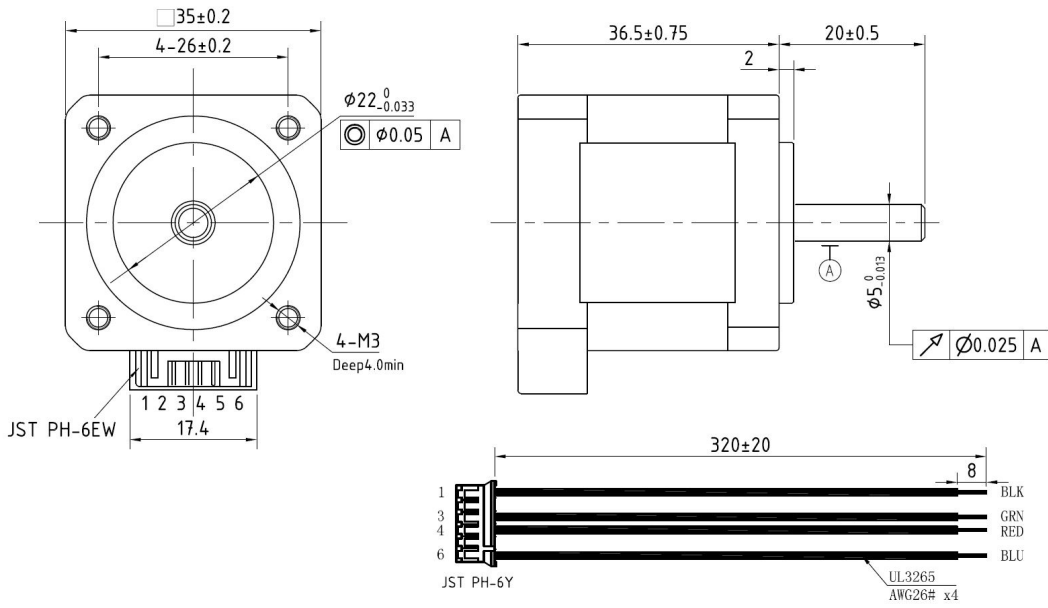


	Single Stack Model	Double Stack Model	Triple Stack Model
Specifications	PJE35T26E14	PJE35T37E14	PJE35T53E14
Number of Phases	2		
Basic Step Angle	1.8°		
Positional Accuracy (no load)	±0.09° Max		
Rated Current/Phase	0.95A		
Resistance/Phase @ 20°C	3.05Ω ± 10%	4.7Ω ± 10%	7.3Ω ± 10%
Inductance/Phase @ 1KHz	2.2mH ± 20%	5.0mH ± 20%	9.6mH ± 20%
Holding Torque	0.07N • m	0.18N • m	0.31N • m
Rotor Inertia	~8g • cm ²		
Mass	~0.1Kg		
Radial Play (Max)	0.025mm (Load/450g)		
Axial Play (Max)	0.075mm (Load/920g)	0.075mm (Load/920g)	
Duty	Continuous		
Dielectric Strength	500V A.C.		
Insulation Resistance	100MΩ/Min		
Insulation Class (UL)	B		
Temperature Rise	80K/Max		
Life (Hours)	5000/Min		
Operation Ambient Temperature	0°C ~ +50°C		
Operation Ambient Humidity	20% RH ~ 90% RH		
Storage Ambient Temperature	-20°C ~ +70°C		

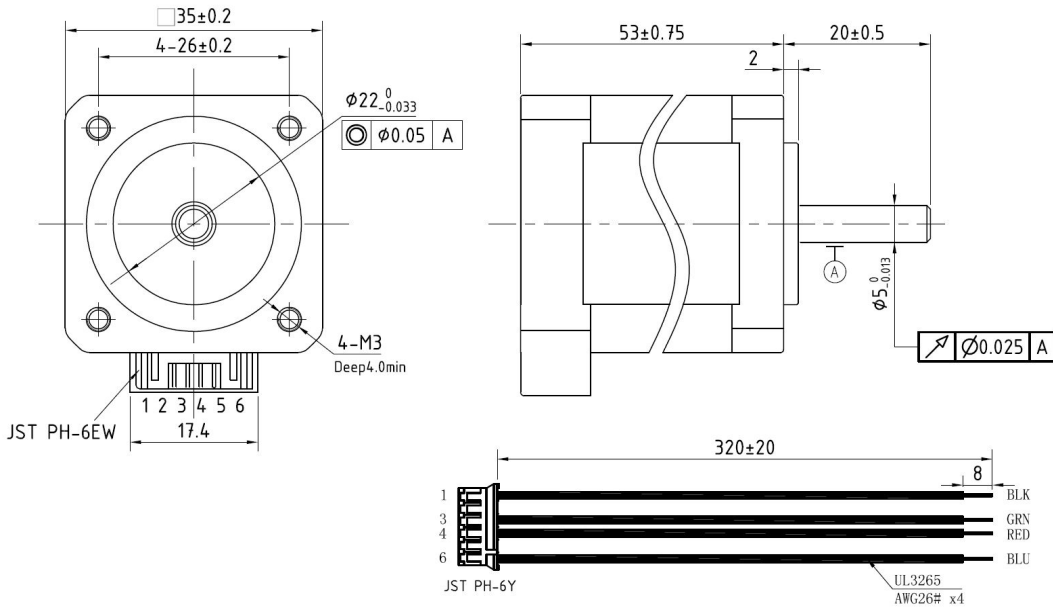
Single Stack Dimensions (mm)



Double Stack Dimensions (mm)



Triple Stack Dimensions (mm)



Phase Sequence (2 Phase Exciting)

	Step	A	B	\bar{A}	\bar{B}	
CW ↓	1	+	+	-	-	↑ CCW
	2	-	+	+	-	
	3	-	-	+	+	
	4	+	-	-	+	
	1	+	+	-	-	

Wiring Diagram

