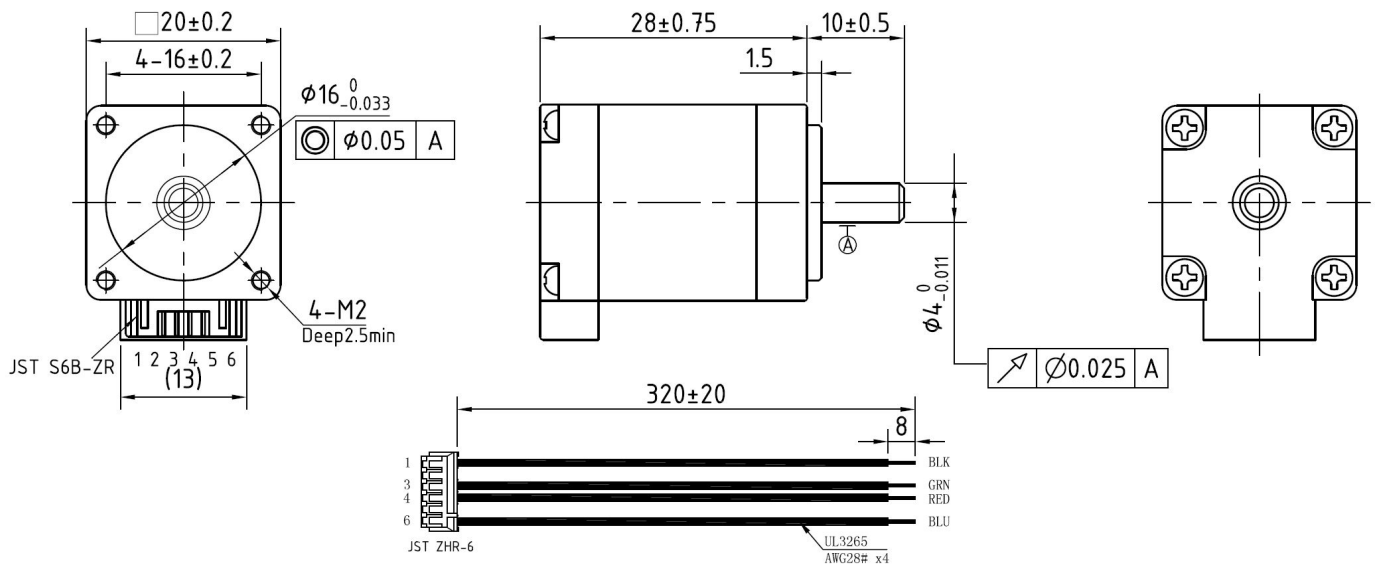
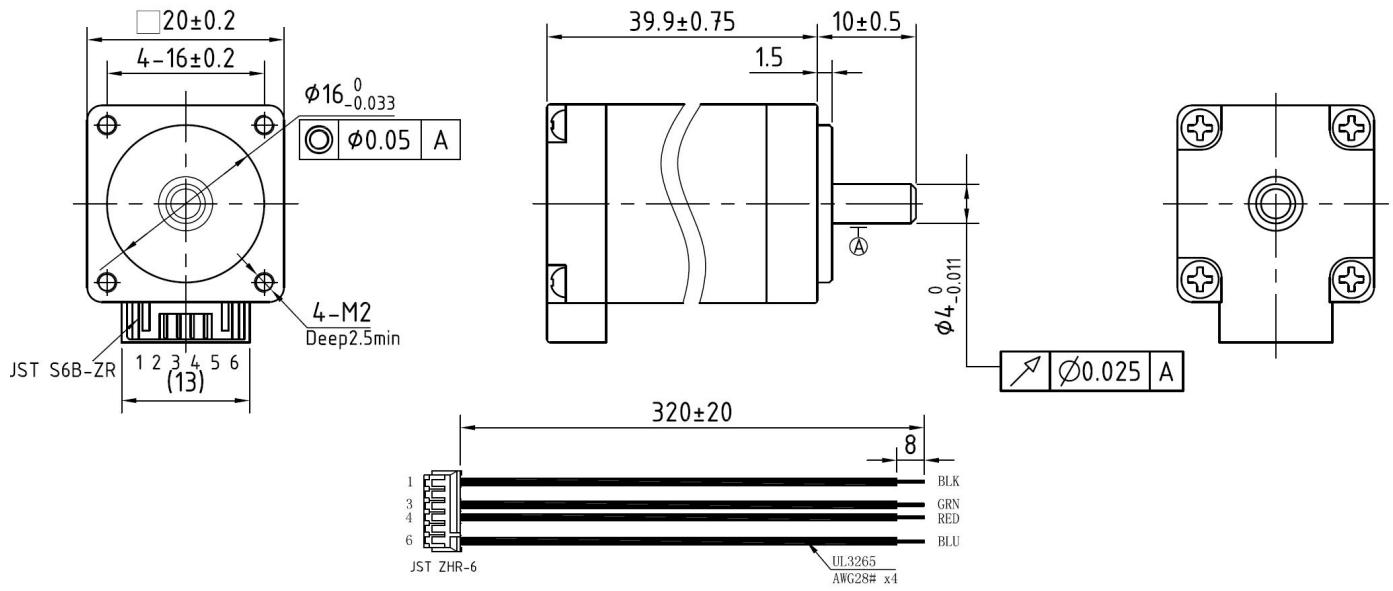


Specifications	PJE20T28E14	PJE20T40E14
Number of Phases	2	
Basic Step Angle	1.8°	
Positional Accuracy (no load)	±0.09° Max	
Rated Current/Phase	0.95A	
Resistance/Phase @ 20°C	2.6Ω ± 10%	4.16Ω ± 10%
Inductance/Phase @ 1KHz	0.88mH ± 20%	1.6mH ± 20%
Holding Torque	0.022N · m	0.038N · m
Rotor Inertia	~2g · cm <sup>2</sup>	
Mass	~0.06Kg	
Radial Play (Max)	0.025mm (Load/450g)	
Axial Play (Max)	0.075mm (Load/920g)	0.075mm (Load/920g)
Duty	Continuous	
Dielectric Strength	500V A.C.	
Insulation Resistance	100MΩ/Min	
Insulation Class (UL)	B	
Temperature Rise	80K/Max	
Life (Hours)	5000/Min	
Operation Ambient Temperature	0°C ~ +50°C	
Operation Ambient Humidity	20% RH ~ 90% RH	
Storage Ambient Temperature	-20°C ~ +70°C	
Storage Ambient Humidity	15% RH ~ 95% RH	

**PJE20T28E14 (Single Stack) Dimensions (mm)**



## PJE20T40E14 (Double Stack) Dimensions (mm)



## Phase Sequence (2 Phase Exciting)

	Step	A	B	$\bar{A}$	$\bar{B}$	
CW ↑	1	+	+	-	-	↑ CCW
	2	-	+	+	-	
	3	-	-	+	+	
	4	+	-	-	+	
	1	+	+	-	-	

## Wiring Diagram

