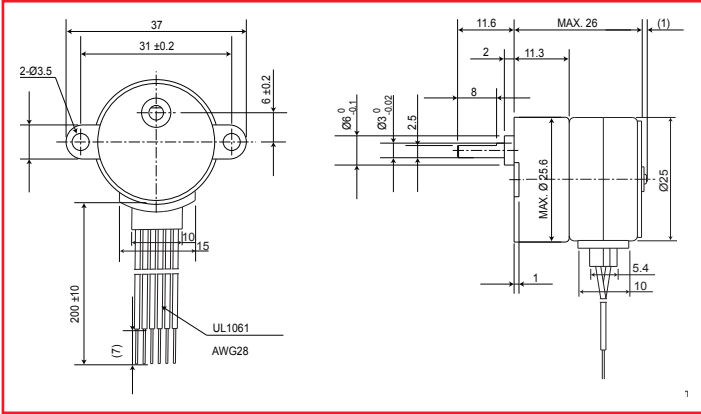




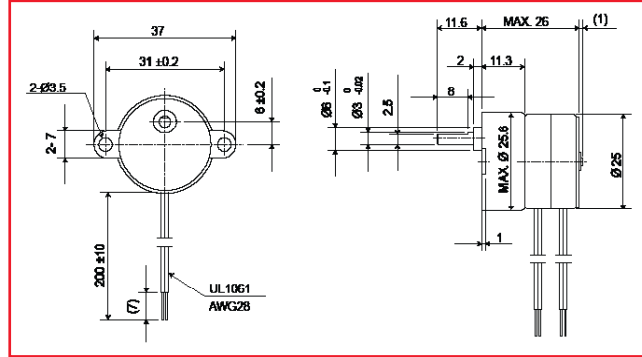
Nippon Pulse
Your Partner in Motion Control

Tin-Can Steppers Gearhead Specs PF(C)25

PFC25 w/P Gearhead



PF25 w/P Gear Head



| Gear Ratio | 6/25 | 1/5 | 3/25 | 1/10 | 2/25 | 1/15 | 3/50 | 1/20 |
|---------------------------|--------|-----|------|------|---------|------|------|------|
| Ordinary Gear Strength | 20mN-m | | | | 50mN-m | | | |
| Destruction Gear Strength | 60mN-m | | | | 150mN-m | | | |

| Gear Ratio | 1/25 | 1/30 | 1/50 | 1/60 | 2/125 | 1/75 |
|---------------------------|---------|------|------|------|-------|------|
| Ordinary Gear Strength | 70mN-m | | | | | |
| Destruction Gear Strength | 210mN-m | | | | | |

| Gear Ratio | 1/100 | 1/120 | 1/125 | 1/150 | 1/200 | 1/250 | 1/300 |
|---------------------------|---------|-------|-------|-------|-------|-------|-------|
| Ordinary Gear Strength | 100mN-m | | | | | | |
| Destruction Gear Strength | 300mN-m | | | | | | |