

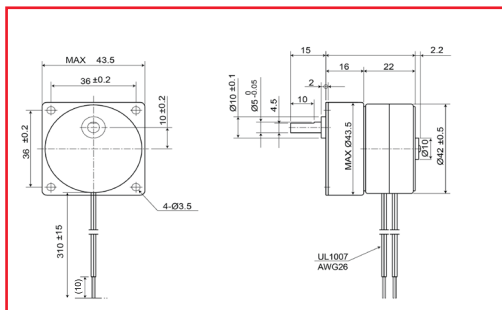
**Specifications**

Specifications	Units	PTM-24H	
Rated Voltage	V	24 ±10%	100 ±10%
Frequency	Hz	50/60	
Rated Current	mA	77/85	18/21
Revolutions	rpm	250/300	
Rotating Direction		Dual Direction (CW/CCW)	
Torque @ 60Hz	mN·m	22/21.5	
Temperature Rise	K	55	
Operating Temp. Range	°C	-10 to +50	
Dielectric Strength	V	500Vac for 1 min.	1000Vac for 1 min.
Weight	g	160	
Capacitor	µF	5.6	0.27

Magnet type: Anisotropic

**Geared Models**

**PTM-24HG**



**Geared Motor Torque Characteristics**

Model	PTMC-24HG				
	Speed	Torque (mN·m)		Gear Ratio	
		50Hz	60Hz	50Hz	60Hz
60	58	68	6/25	1/5	
30	115	135	3/25	1/10	
20	140	165	2/25	1/15	
10	250*	260	1/25	1/30	
5	300*	300*	1/50	1/60	
4	300*	300*	2/125	1/75	
3	--	400*	--	1/100	
2	400*	400*	1/125	1/150	
1	400*	400*	1/250	1/300	

\*Values regulated by normal gear strength. Do not apply any load exceeding the normal gear strength.