

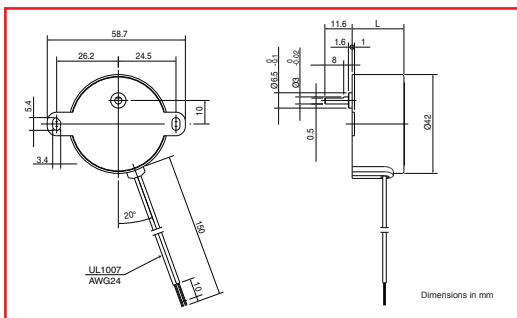
**Specifications**

| Specifications        | Units | PTM-24B                   |       |                    |       |
|-----------------------|-------|---------------------------|-------|--------------------|-------|
| Rated Voltage         | V     | 12                        | 24    | 100                | 200   |
| Frequency             | Hz    | 50/60                     |       |                    |       |
| Rated Current         | mA    | 75/70                     | 35/32 | 11/10              | 7/6.5 |
| Revolutions           | rpm   | 250/300                   |       |                    |       |
| Rotating Direction    |       | Single Direction (CW/CCW) |       |                    |       |
| Torque @ 60Hz         | mN-m  | 0.5                       |       |                    |       |
| Temperature Rise      | K     | 30                        |       |                    |       |
| Operating Temp. Range | °C    | -10 to +50                |       |                    |       |
| Dielectric Strength   | V     | 500Vac for 1 min.         |       | 1000Vac for 1 min. |       |
| Weight                | g     | 35                        |       |                    |       |

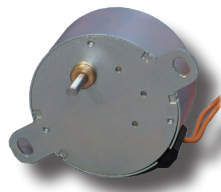
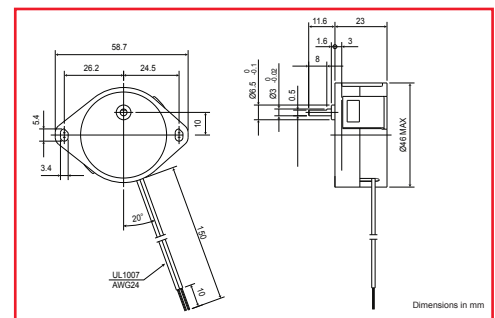
Magnet type: Anisotropic

**Geared Models**

**PTM-24AG**



**PTM-24BGII**



**Geared Motor Torque Characteristics**

| Model    | PTM-24AG |          |            | Motor Length (L) |
|----------|----------|----------|------------|------------------|
|          | Speed    | Torque   | Gear Ratio |                  |
| rpm      | mN-m     | 50Hz     | 60Hz       |                  |
| 1/2      | 80       | 1/500    | 1/600      | 22               |
| 1/3      | 80       | 1/750    | 1/900      |                  |
| 1/5      | 80       | 1/1250   | 1/1500     |                  |
| 1/10     | 80       | 1/2500   | 1/3000     |                  |
| 1/30     | 80       | 1/7500   | 1/9000     |                  |
| 1/60     | 80       | 1/15000  | 1/18000    |                  |
| 1/2 rph  | 80       | 1/30000  | 1/36000    | 28               |
| 1/24 rph | 80       | 1/360000 | 1/432000   |                  |

| Model | PTM-24BGII |        |            |
|-------|------------|--------|------------|
|       | Speed      | Torque | Gear Ratio |
| rpm   | mN-m       | 50Hz   | 60Hz       |
| 10    | 10         | 1/25   | 1/30       |
| 4     | 25         | 2/125  | 1/75       |
| 2     | 50         | 1/125  | 1/150      |

PTM-24AG has same electrical specs as PTM-24B