

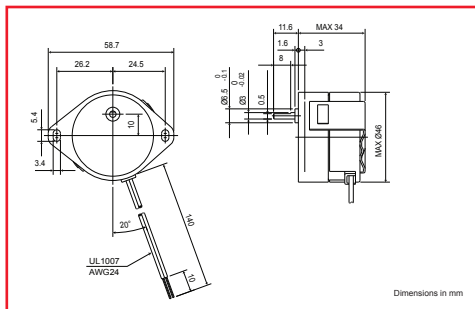
Specifications

Specifications	Units	PTM-12E			
		12	24	100	200
Rated Voltage	V	12	24	100	200
Frequency	Hz	50/60			
Rated Current	mA	160/140	88/79	20/19	10/9
Revolutions	rpm	500/600			
Rotating Direction		Single Direction (CW/CCW)			
Torque @ 60Hz	mN-m	1.7			
Temperature Rise	K	45			
Operating Temp. Range	°C	-10 to +50			
Dielectric Strength	V	500Vac for 1 min.		1000Vac for 1 min.	1500Vac for 1 min.
Weight	g	95			

Magnet type: Anisotropic

Geared Models

PTM-12EG



Geared Motor Torque Characteristics

Model	PTM-12EG			
	Speed	Torque @ 60Hz	Gear Ratio	
			50Hz	60Hz
rpm	mN-m			
10	60	1/50	1/60	
2	200	1/250	1/300	
1	200	1/500	1/600	