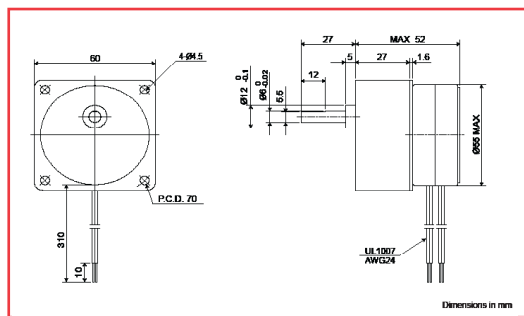
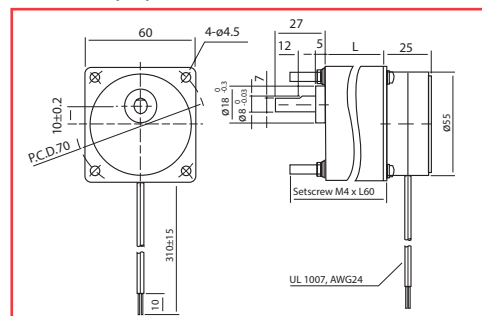


PTM-24FG



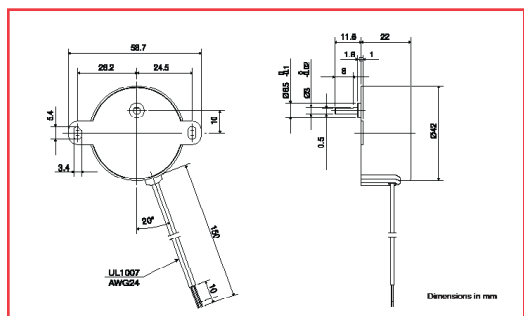
Gear Ratio	L
1/3 ~ 1/8	32
1/20 ~ 1/180	42

PTM-24FG (BB)

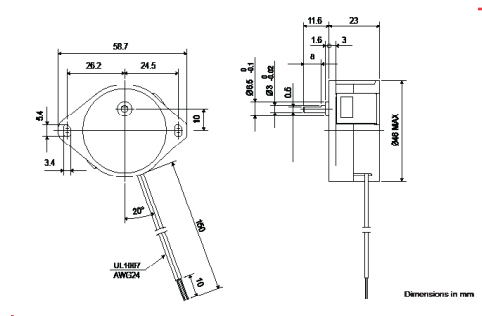


Reduction Ratio	L
1/3 - 1/8	32
1/20 to 1/180	42

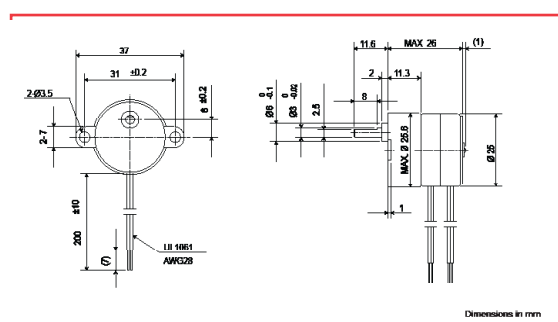
PTM-24AG



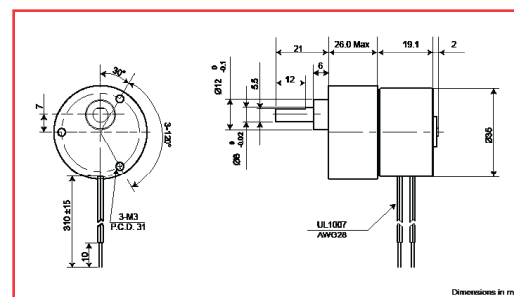
PTM-24BGII



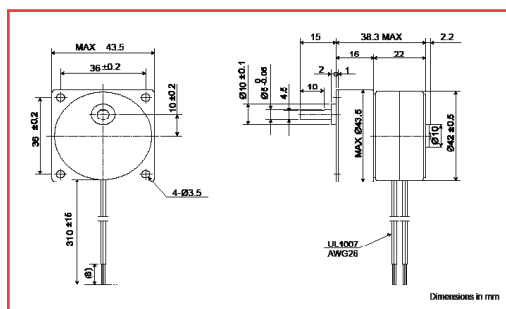
PTMC-24PG



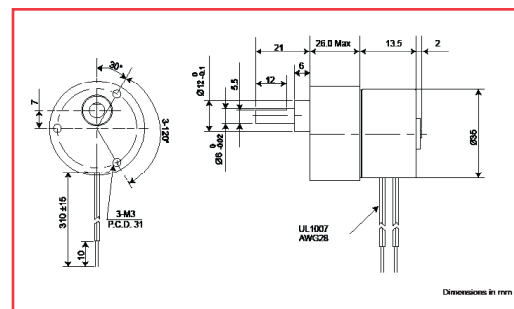
PTM-24MG



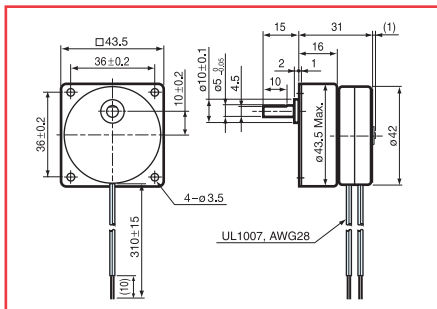
PTMC-24HG



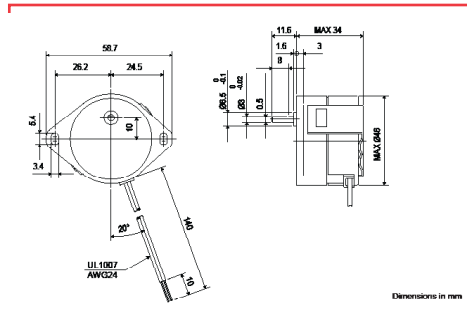
PTM-24TG



PTMC-24S2G



PTM-12KG



PTM-12EG

