

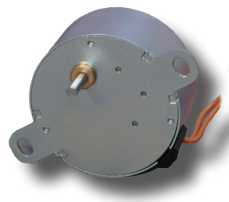
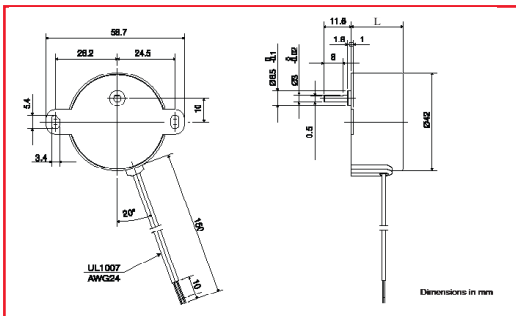
Specifications

Specifications	Units	PTM-24B			
Rated Voltage	V	12	24	100	200
Frequency	Hz	50/60			
Rated Current	mA	75/70	35/32	11/10	7/6.5
Revolutions	rpm	250/300			
Rotating Direction		Single Direction (CW/CCW)			
Torque @ 60Hz	mN-m	0.5			
Temperature Rise	K	30			
Operating Temp. Range	°C	-10 to +50			
Dielectric Strength	V	500Vac for 1 min.		1000Vac for 1 min.	
Weight	g	35			

Magnet type: Anisotropic

Geared Models

PTM-24AG



Geared Motor Torque Characteristics

Model	PTM-24AG			Motor Length (L)
	Speed	Torque	Gear Ratio	
rpm	mN-m	50Hz	60Hz	
1/2	80	1/500	1/600	22
1/3	80	1/750	1/900	
1/5	80	1/1250	1/1500	
1/10	80	1/2500	1/3000	
1/30	80	1/7500	1/9000	
1/60	80	1/15000	1/18000	
1/2 rph	80	1/30000	1/36000	28
1/24 rph	80	1/360000	1/432000	

PTM-24AG has same electrical specs as PTM-24B