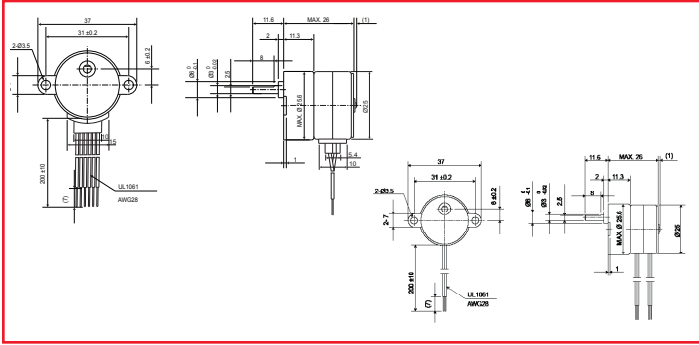
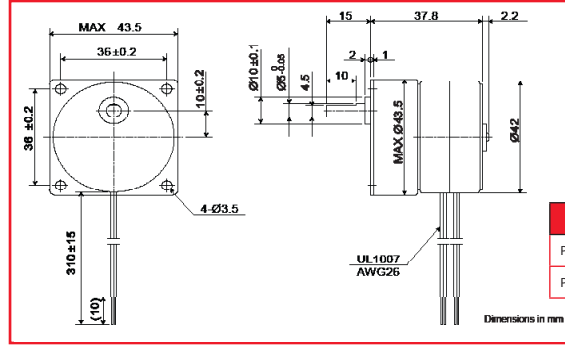


PF(C)25 w/P Gearhead



Gear Ratio	6/25	1/5	3/25	1/10	2/25	1/15	3/50	1/20
Ordinary Gear Strength	20mN-m				50mN-m			
Gear Ratio	1/25	1/30	1/50	1/60	2/125	1/75		
Ordinary Gear Strength	70mN-m							
Gear Ratio	1/100	1/120	1/125	1/150	1/200	1/250	1/300	
Ordinary Gear Strength	100mN-m							

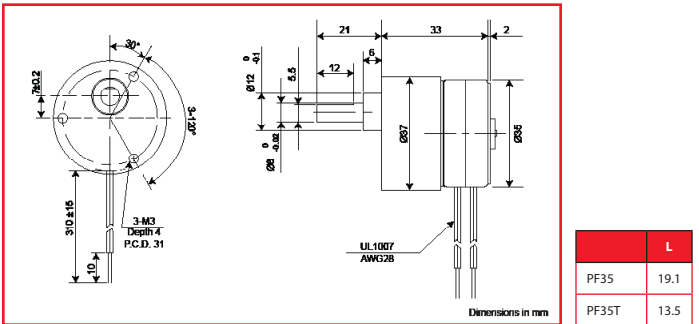
PF(C)42/42H/42T w/H Gearhead



	L
PF42/PFC42H	37.8
PF42T/PFC42T	31

Gear Ratio	6/25	1/5	3/25	1/10	2/25	1/15	3/50	
Ordinary Gear Strength	200mN-m				250mN-m			
Gear Ratio	1/20	1/25	1/30	1/50	1/60	2/125	1/75	
Ordinary Gear Strength	250mN-m				300mN-m			
Gear Ratio	1/100	1/120	1/125	1/150	1/200	1/300		
Ordinary Gear Strength	400mN-m							

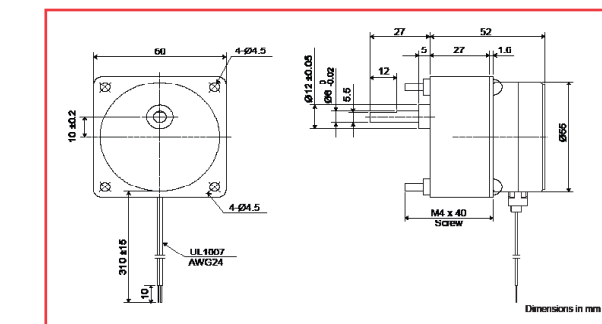
PF35/35T w/M Gearhead



	L
PF35	19.1
PF35T	13.5

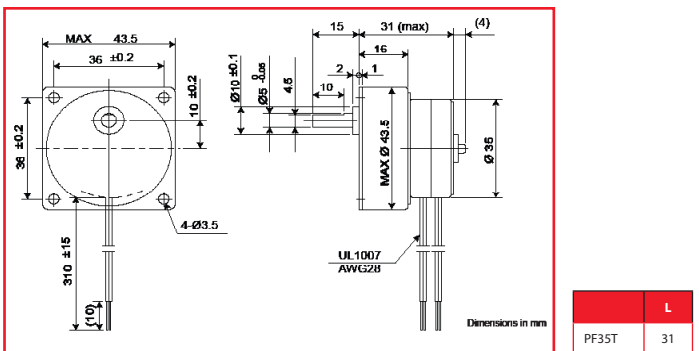
Gear Ratio	1/5	1/6	1/10	1/12	1/15	1/18	1/25	1/30	
Ordinary Gear Strength	100mN-m				200mN-m				
Gear Ratio	1/40	1/50	1/60	1/75	1/90	1/100	1/120		
Ordinary Gear Strength	300mN-m								
Gear Ratio	1/125	1/150	1/180	1/200	1/250	1/300			
Ordinary Gear Strength	600mN-m								

PF(C)55/55H w/F Gearhead



Gear Ratio	6/25	1/5	3/25	1/10	2/25	1/15	3/50	1/20
Ordinary Gear Strength	400mN-m							
Gear Ratio	1/25	1/30	1/50	1/60	2/125	1/75		
Ordinary Gear Strength	700mN-m				1000mN-m			
Gear Ratio	3/250	1/100	1/125	1/150	1/250	1/300		
Ordinary Gear Strength	1000mN-m							

PF35T w/H Gearhead

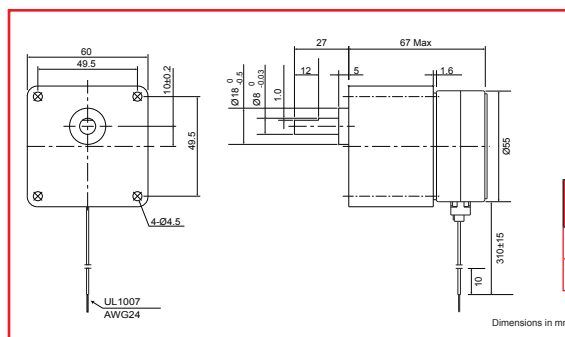


	L
PF35T	31

Gear Ratio	6/25	1/5	3/25	1/10	2/25	1/15	3/50	1/20	1/25	
Ordinary Gear Strength	200mN-m				250mN-m					
Gear Ratio	1/30	1/50	1/60	2/125	1/75					
Ordinary Gear Strength	300mN-m									
Gear Ratio	1/100	1/120	1/125	1/150	1/200	1/250	1/300			
Ordinary Gear Strength	400mN-m									

PFC55H w/F(BB) Gearhead

F(BB) gearhead provides ball-bearing support for all stages, ensuring long service life.



Reduction Ratio	L
1/3 to 1/15	32
1/20 to 1/180	42

Gear Ratio	1/3	1/5	2/15	1/10	2/25	1/15	1/20
Ordinary Gear Strength	400mN-m		500mN-m			600mN-m	800mN-m
Gear Ratio	1/25	1/30	1/50	1/60			
Ordinary Gear Strength	900mN-m		1100mN-m			1600mN-m	
Gear Ratio	1/75	1/100	1/125	1/150	1/180		
Ordinary Gear Strength	2500mN-m						