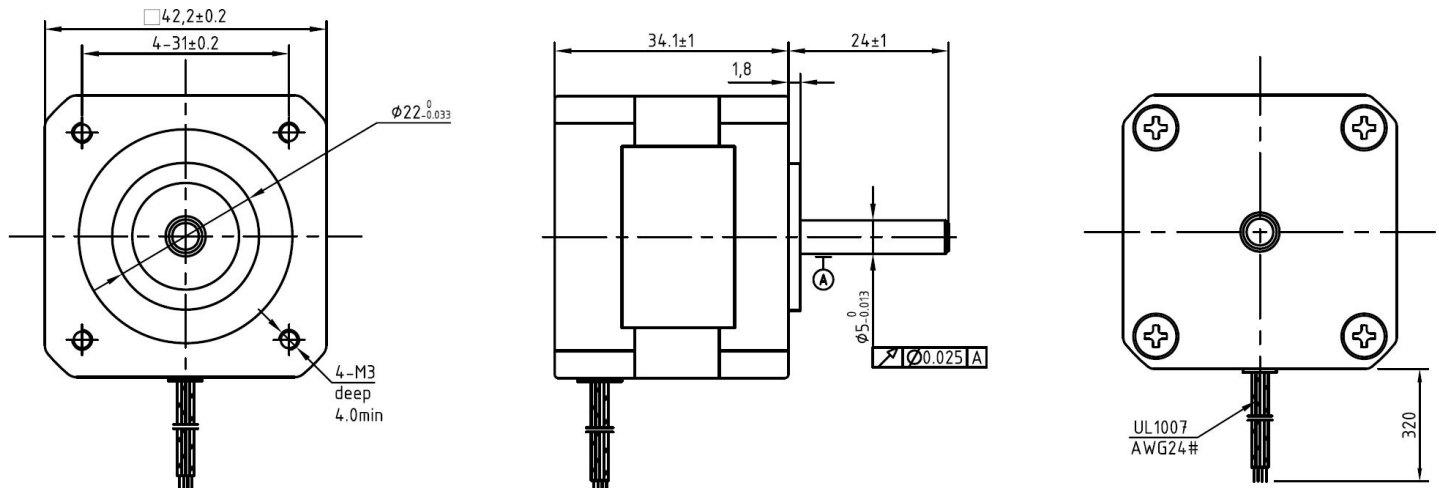
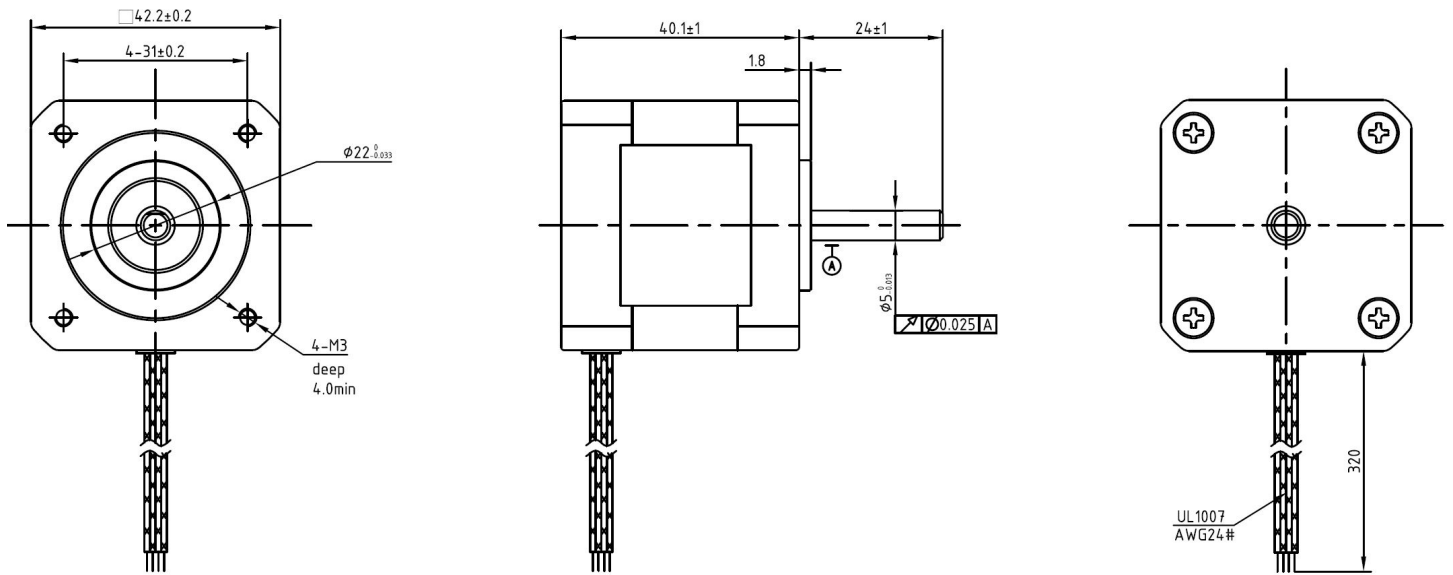


| | Single Stack Model | Encoder Model | Double Stack Model | Triple Stack Model |
|-------------------------------|------------------------|------------------------|------------------------|------------------------|
| Specifications | PJE42T-34D14 | PJE42T-48A14-E1000 | PJE42T-40D14 | PJE42T-48D14 |
| Number of Phases | 2 | | | |
| Basic Step Angle | 1.8° | | | |
| Positional Accuracy (no load) | ±0.09° Max | | | |
| Rated Current/Phase | 1.2A | 2.0 | 1.2A | |
| Resistance/Phase @ 20°C | 2.1Ω ± 10% | 1.35Ω ± 10% | 2.5Ω ± 10% | 3.1Ω ± 10% |
| Inductance/Phase @ 1KHz, 1V | 3.7mH ± 20% | 2.9mH ± 20% | 6.0mH ± 20% | 7.2mH ± 20% |
| Holding Torque | 0.3N · m | 0.48N · m | 0.4N · m | 0.53N · m |
| Rotor Inertia | ~54g · cm ² | ~77g · cm ² | ~54g · cm ² | ~77g · cm ² |
| Mass | ~0.3Kg | ~0.36Kg | ~0.3Kg | ~0.36Kg |
| Radial Play (Max) | 0.025mm (Load/450g) | | | |
| Axial Play (Max) | 0.075mm (Load/920g) | 0.005mm (Load/920g) | 0.075mm (Load/920g) | |
| Duty | Continuous | | | |
| Dielectric Strength | 500V A.C. | | | |
| Insulation Resistance | 100MΩ/Min | | | |
| Insulation Class (UL) | B | | | |
| Temperature Rise | 80K/Max | | | |
| Life (Hours) | 5000/Min | | | |
| Operation Ambient Temperature | 0°C ~ +50°C | | | |
| Operation Ambient Humidity | 20% RH ~ 90% RH | | | |
| Storage Ambient Temperature | -20°C ~ +70°C | | | |
| Storage Ambient Humidity | 15% RH ~ 95% RH | | | |

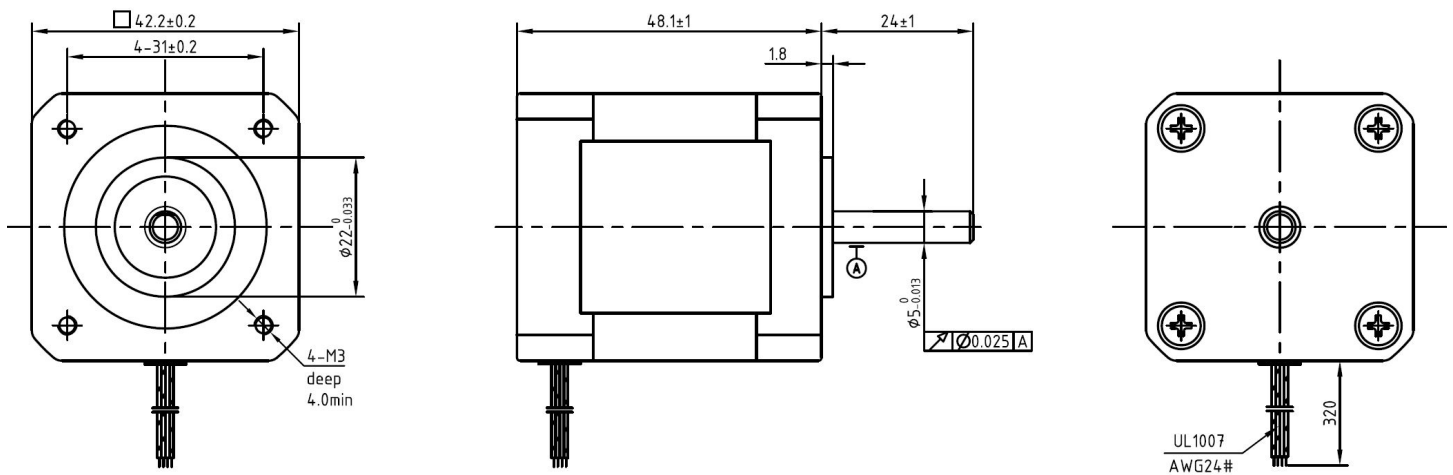
Single Stack Dimensions (mm)



Double Stack Dimensions (mm)



Triple Stack Dimensions (mm)



Phase Sequence (2 Phase Exciting)

| CW | Step | A | B | \bar{A} | \bar{B} | CCW |
|----|------|---|---|-----------|-----------|-----|
| | 1 | + | + | - | - | |
| 2 | - | + | + | - | - | |
| 3 | - | - | + | + | - | |
| 4 | + | - | - | - | + | |
| 1 | + | + | - | - | - | |

Wiring Diagram

