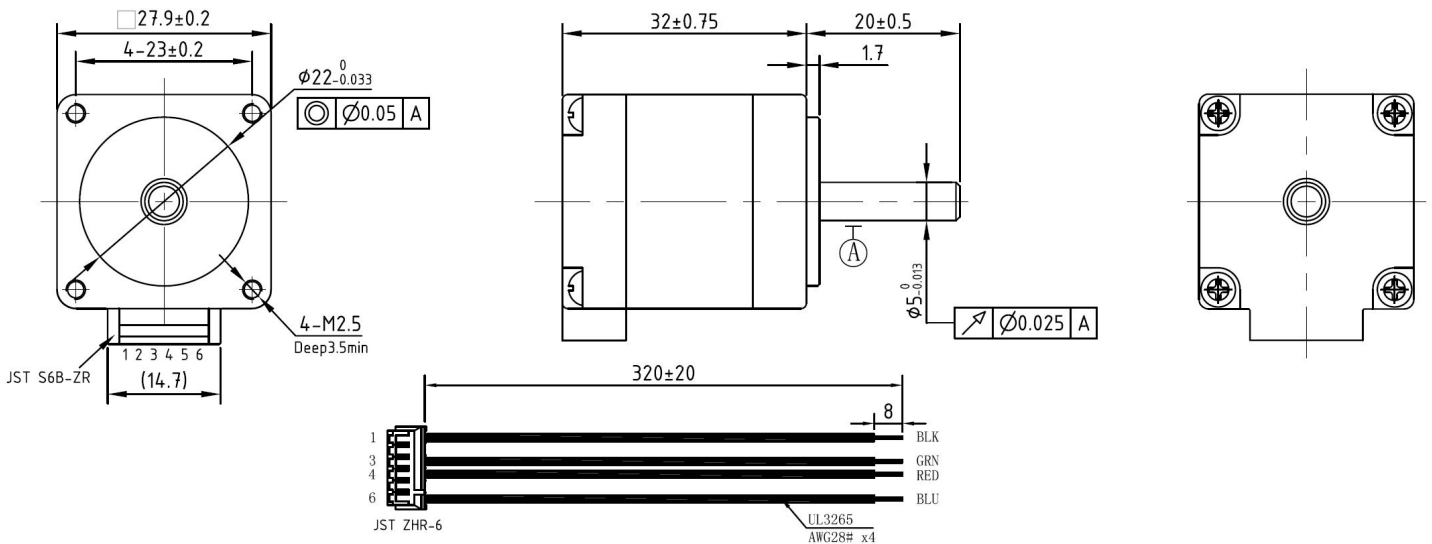
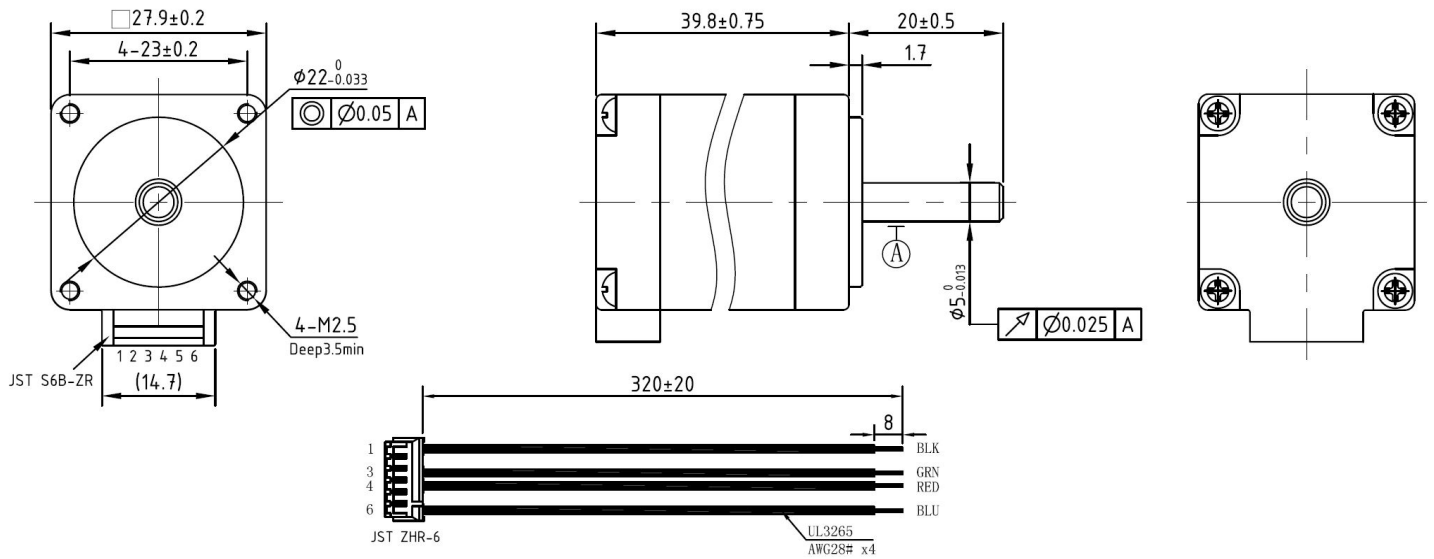


	Single Stack Model	Double Stack Model	Triple Stack Model
Specifications	PJE28T-32E14	PJE28T-40E14	PJE28T-51E14
Number of Phases	2		
Basic Step Angle	1.8°		
Positional Accuracy (no load)	±0.09° Max		
Rated Current/Phase	0.95A		
Resistance/Phase @ 20°C	3.03Ω ± 10%	3.9Ω ± 10%	5.2Ω ± 10%
Inductance/Phase @ 1KHz	2.3mH ± 20%	2.9mH ± 20%	4.3mH ± 20%
Holding Torque	0.08N · m	0.12N · m	
Rotor Inertia	~4g · cm <sup>2</sup>		
Mass	~0.06Kg		
Radial Play (Max)	0.025mm (Load/450g)		
Axial Play (Max)	0.075mm (Load/920g)	0.075mm (Load/920g)	
Duty	Continuous		
Dielectric Strength	500V A.C.		
Insulation Resistance	100MΩ/Min		
Insulation Class (UL)	B		
Temperature Rise	80K/Max		
Life (Hours)	5000/Min		
Operation Ambient Temperature	0°C ~ +50°C		
Operation Ambient Humidity	20% RH ~ 90% RH		
Storage Ambient Temperature	-20°C ~ +70°C		
Storage Ambient Humidity	15% RH ~ 95% RH		

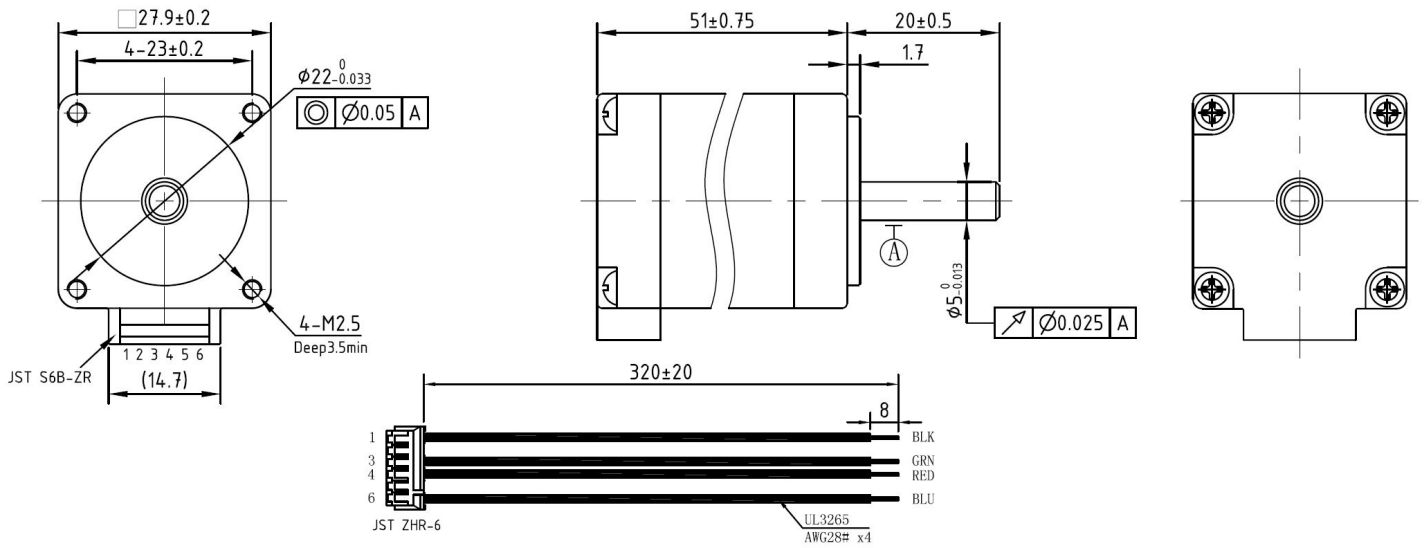
Single Stack Dimensions (mm)



## Double Stack Dimensions (mm)



## Triple Stack Dimensions (mm)



## Phase Sequence (2 Phase Exciting)

CW	Step	Phase Sequence				CCW
		A	B	$\bar{A}$	$\bar{B}$	
↓	1	+	+	-	-	↑
	2	-	+	+	-	
	3	-	-	+	+	
	4	+	-	-	+	
	1	+	+	-	-	

## Wiring Diagram

