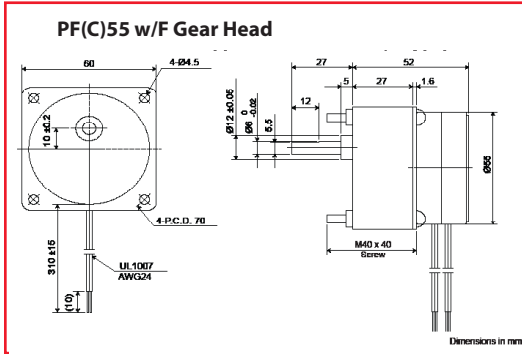
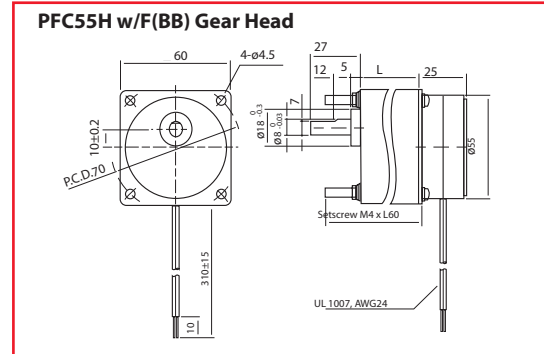


### Dimensions of Geared Model



### Dimensions of Geared Model



### Ratios of Geared Model

Gear Ratio	6/25	1/5	3/25	1/10	2/25	1/15	3/50	1/20
Ordinary Gear Strength	400mN-m							
Destruction Gear Strength	1200mN-m							

Gear Ratio	1/25	1/30	1/50	1/60	2/125	1/75
Ordinary Gear Strength	700mN-m			1000mN-m		
Destruction Gear Strength	2100mN-m			3000mN-m		

Gear Ratio	3/250	1/100	1/125	1/150	1/250	1/300
Ordinary Gear Strength	1000mN-m					
Destruction Gear Strength	3000mN-m					

### Ratios of Geared Model

Gear Ratio	1/3	1/5	2/15	1/10	2/25	1/15	1/20
Ordinary Gear Strength	400mN-m	500mN-m		600mN-m	800mN-m		
Destruction Gear Strength	1200mN-m	1500mN-m		1800mN-m	2400mN-m		

Gear Ratio	1/25	1/30	1/50	1/60	Reduction Ratio	L
Ordinary Gear Strength	900mN-m	1100mN-m	1600mN-m		1/3 to 1/15	32
Destruction Gear Strength	2700mN-m	3300mN-m	4800mN-m		1/20 to 1/180	42

Gear Ratio	1/75	1/100	1/125	1/150	1/180
Ordinary Gear Strength	2500mN-m				
Destruction Gear Strength	7500mN-m				