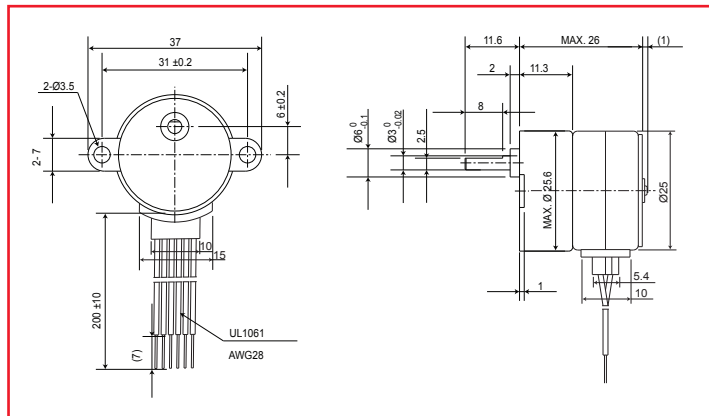


PFC25 w/P Gearhead



Gear Ratio	6/25	1/5	3/25	1/10	2/25	1/15	3/50	1/20
Maximum Torque	20mN·m				50mN·m			

Gear Ratio	1/25	1/30	1/50	1/60	1/75
Maximum Torque	20mN·m				

Gear Ratio	1/100	1/120	1/125	1/150	1/200	1/250	1/300
Maximum Torque	100mN·m						