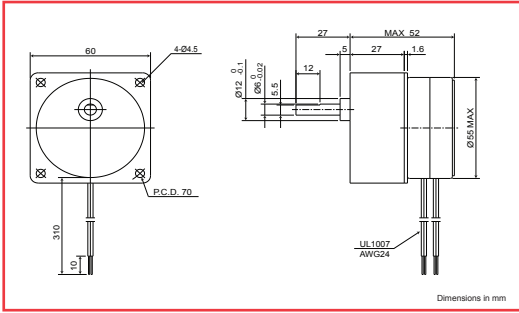
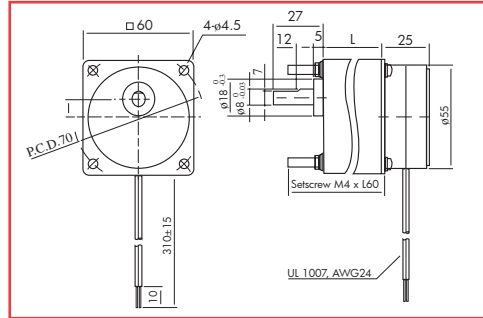


### PTM-24FG



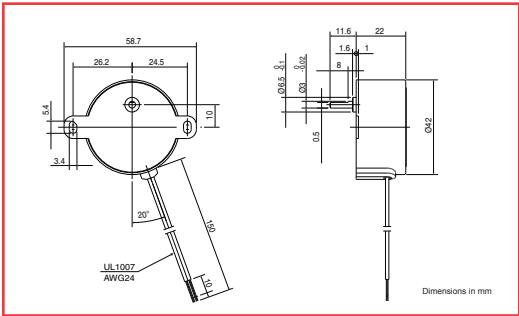
Gear Ratio	L
1/3 - 1/8	32
1/20 - 1/180	42

### PTM-24FG (BB)

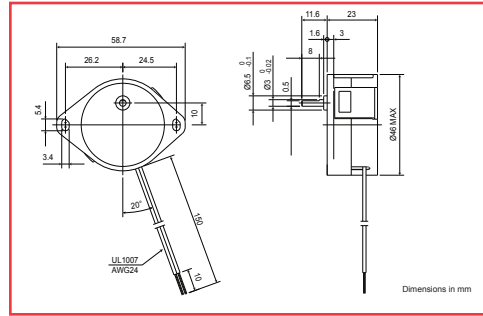


Reduction Ratio	L
1/3 - 1/8	32
1/20 to 1/180	42

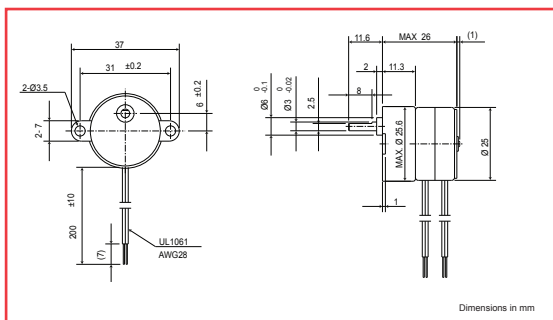
### PTM-24AG



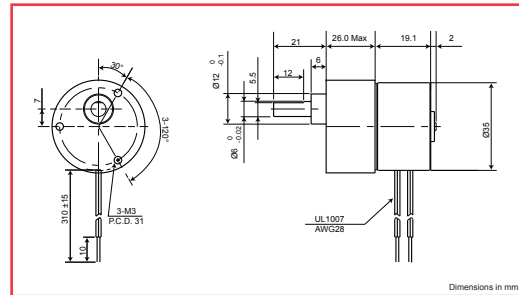
### PTM-24BGII



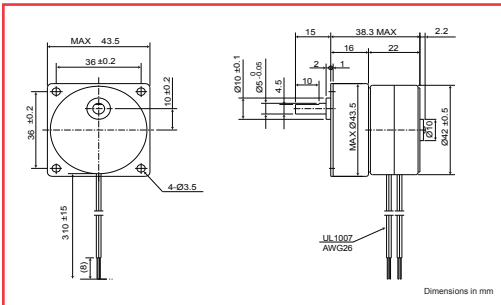
### PTMC-24PG



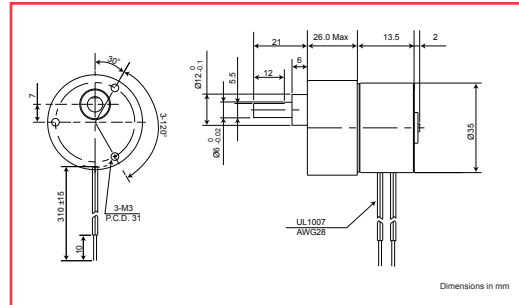
### PTM-24MG



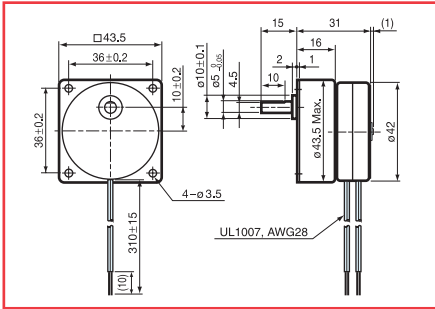
### PTMC-24HG



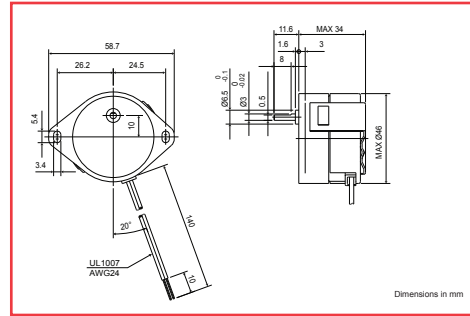
### PTM-24TG



### PTMC-24S2G



### PTM-12KG



### PTM-12EG

