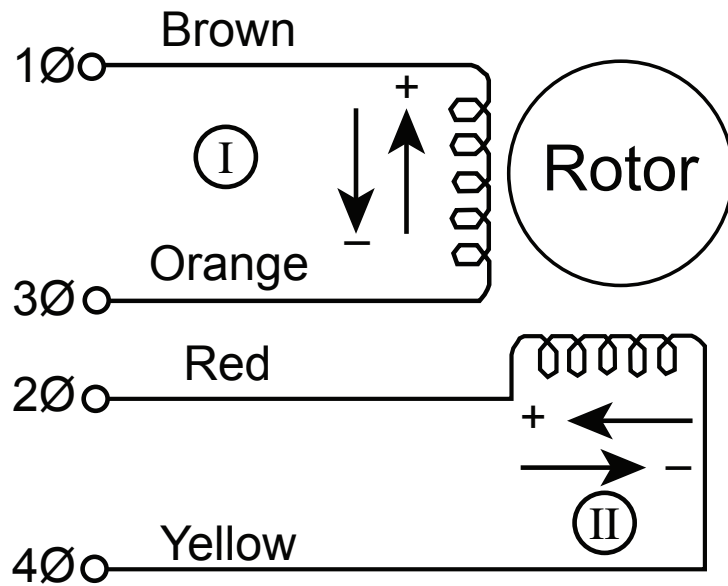




# PF/PFC Series Bipolar Motors

## Wiring Diagram and Rotation Chart



No.	I	II
1	+	+
2	-	+
3	-	-
4	+	-

CW (downward arrow) and CW (upward arrow) are indicated on the left and right sides of the table, respectively.